












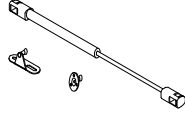


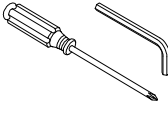
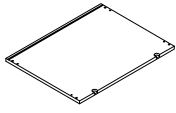


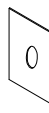



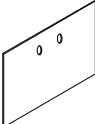
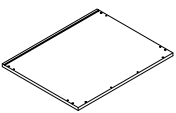
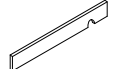
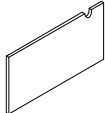
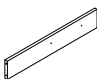
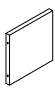
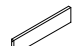
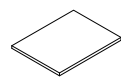


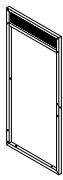
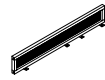



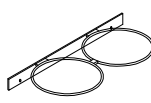



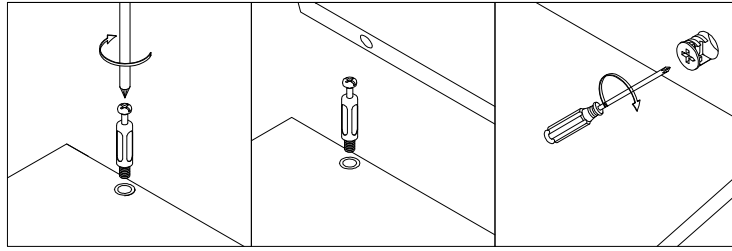
Hardware List

(A)  18PCS (M6*40)	(B)  2PCS (M8*40)	(C)  18PCS (∅12*15)	(D)  18PCS (M6*40)	(E)  31PCS (M4*12)	(F)  4PCS (M5*30)
(G)  12PCS (M5*50)	(H)  4PCS	(I)  2PCS	(J)  12PCS (M6*30)	(K)  4PCS (M6*25)	(L)  2PCS (M6*10)
(M)  1PC	(N)  1PC	(O)  2PCS	(P)  1PC	(Q)  1PC	

Panel List

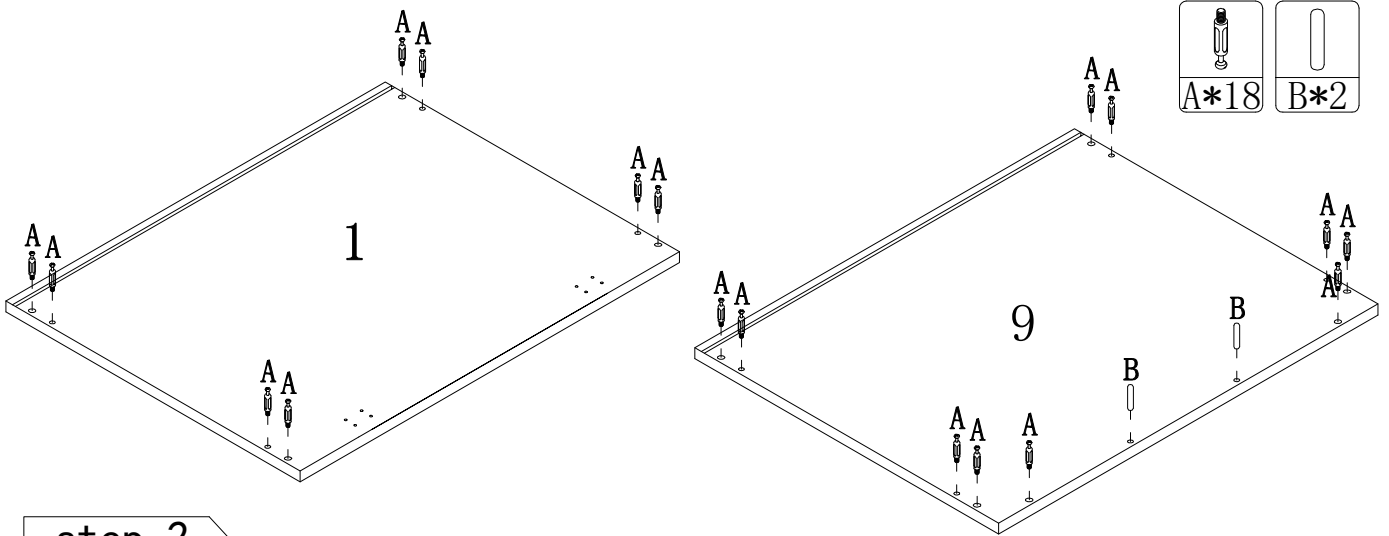
(1)  1PC	(2)  1PC	(3)  1PC	(4)  1PC	(5)  1PC
(6)  1PC	(7)  1PC	(8)  1PC	(9)  1PC	(10)  1PC
(11)  1PC	(12)  1PC	(13)  1PC	(14)  1PC	(15)  1PC
(16)  1PC	(17)  1PC	(18)  1PC	(19)  1PC	(20)  1PC
(21)  1PC	(22)  2PCS	(23)  1PC	(24)  1PC	

Assembling the unit with camlocks and wood dowels

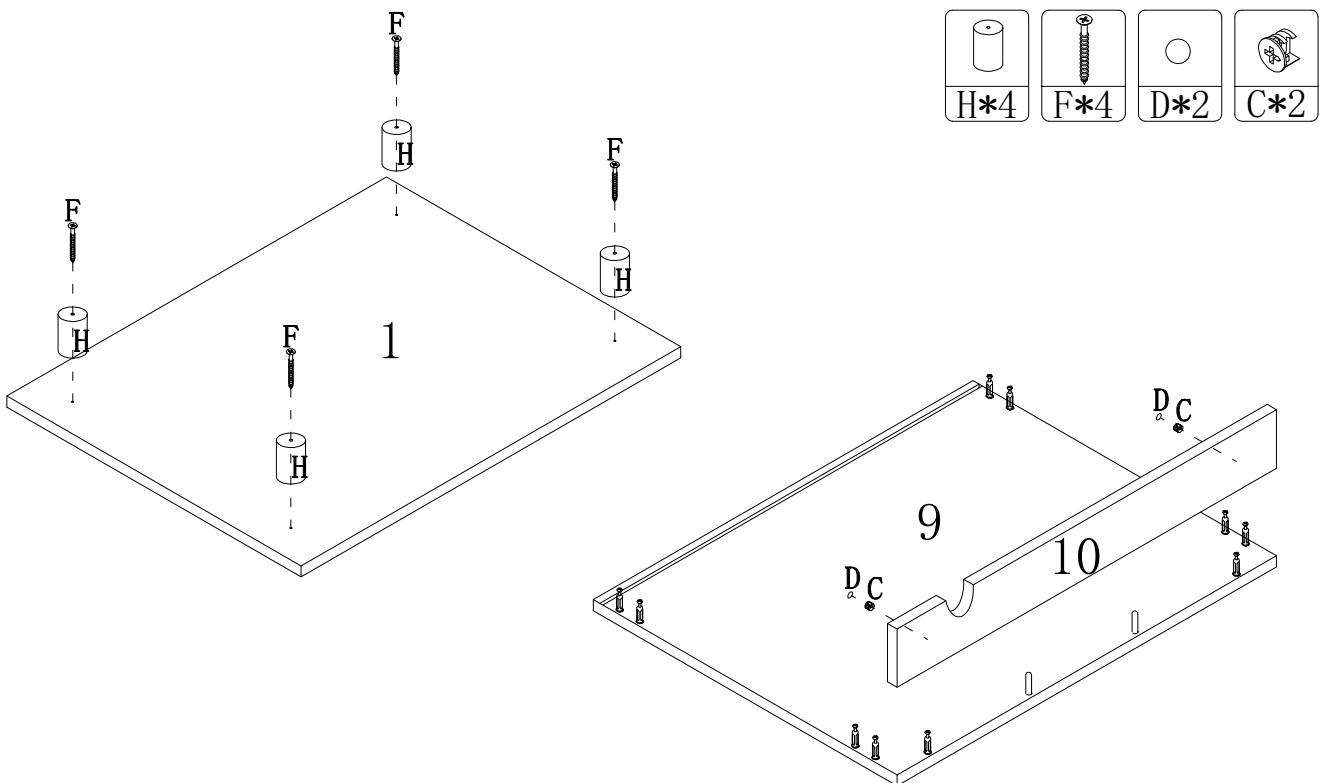


Assembly instructions

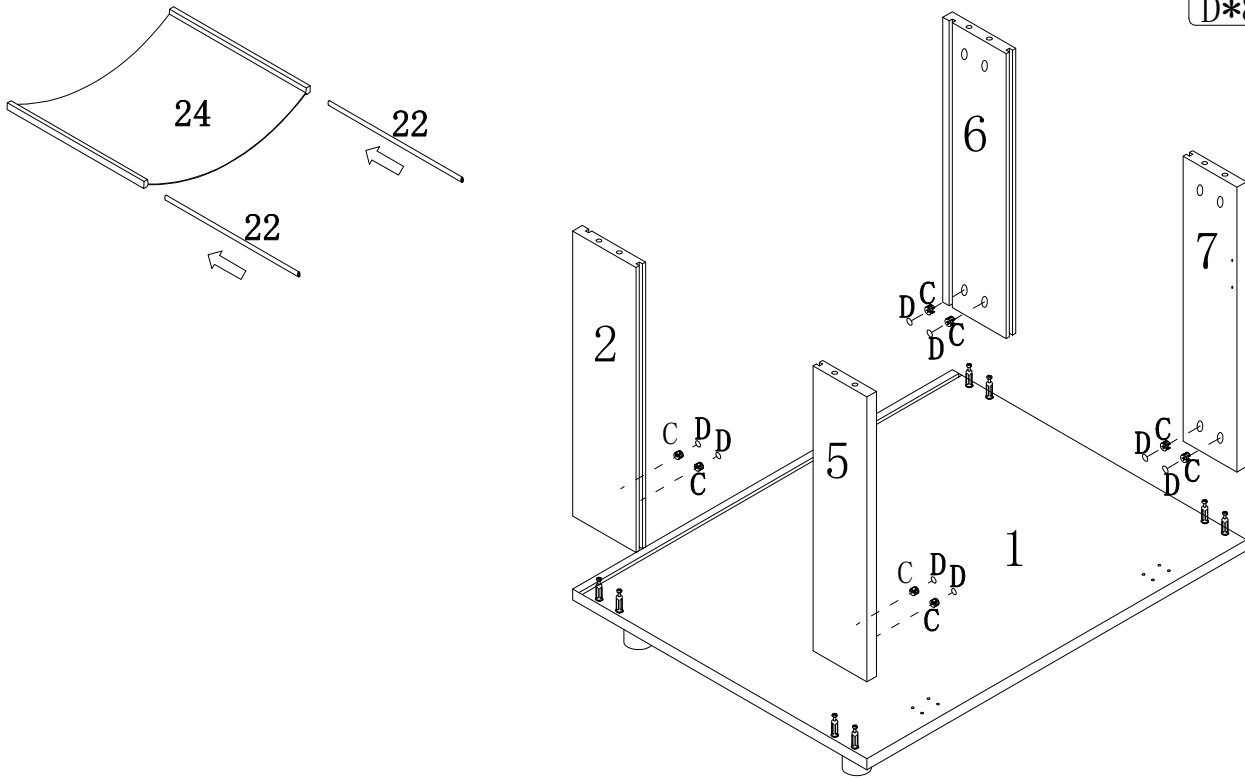
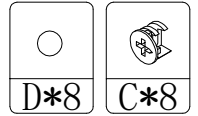
step 1



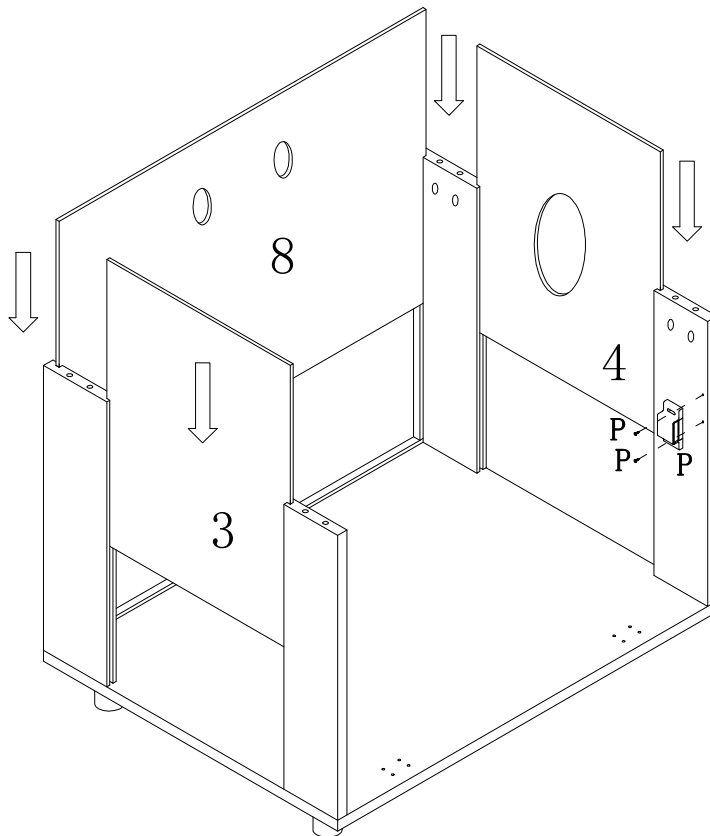
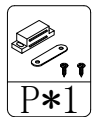
step 2



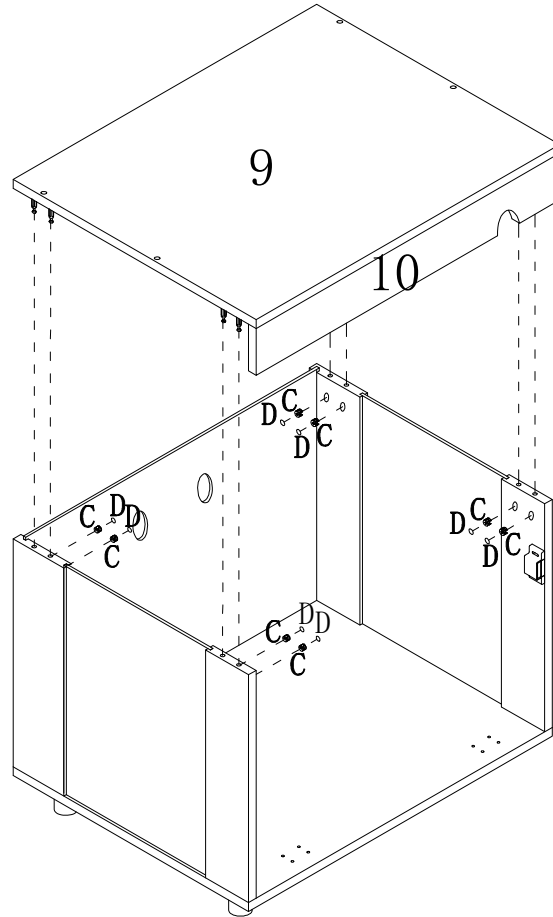
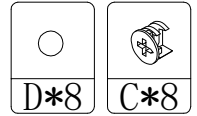
step 3



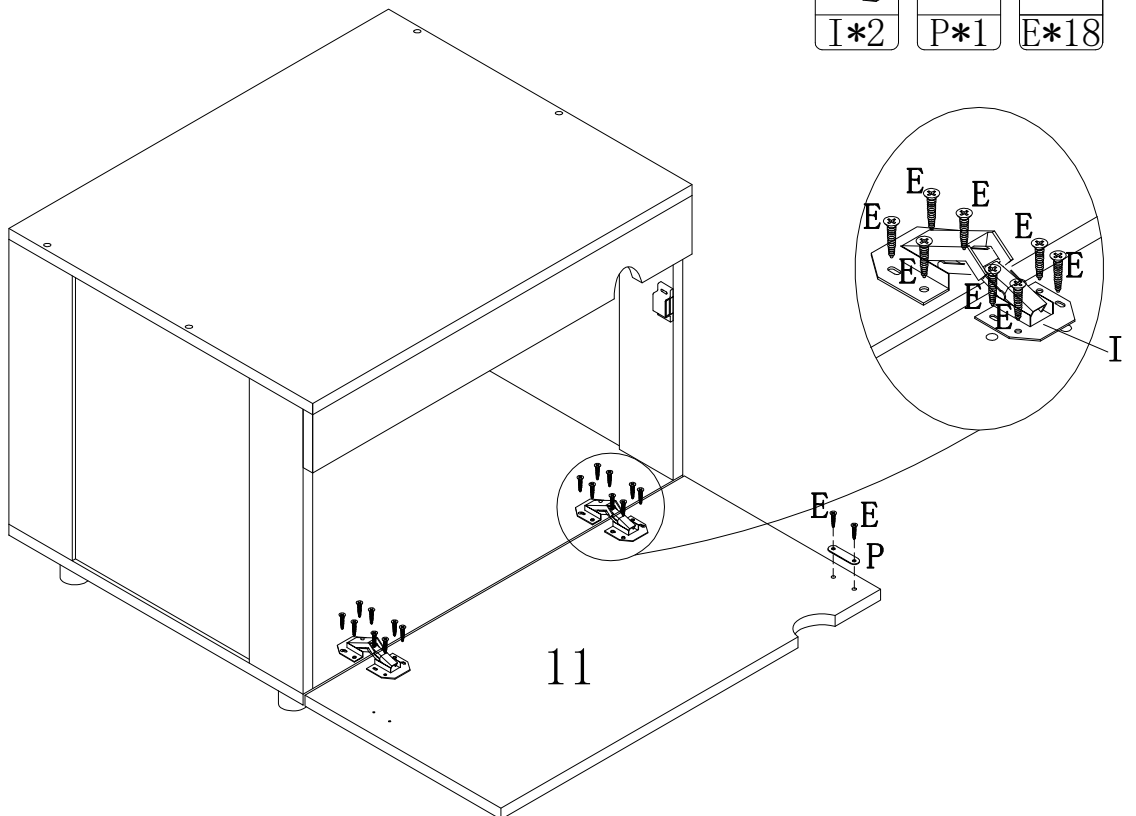
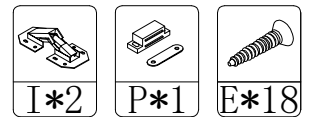
step 4



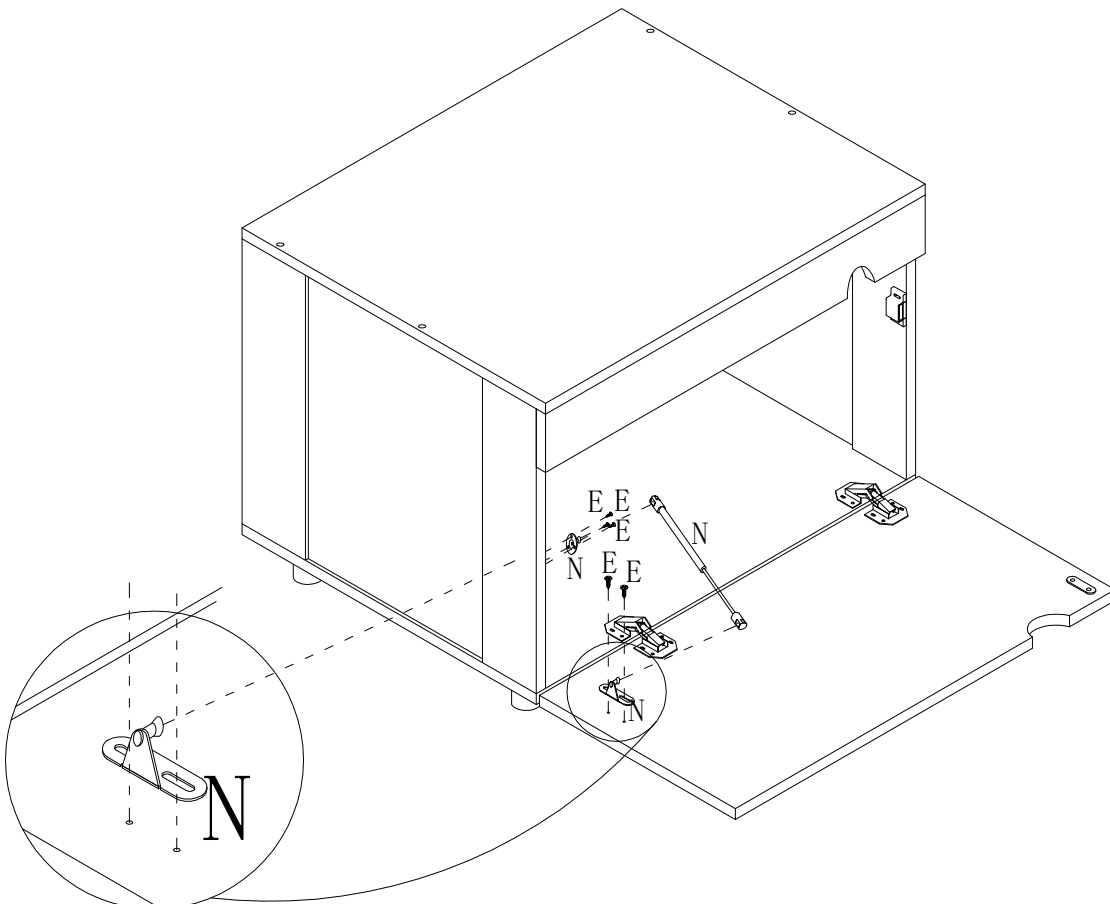
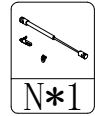
step 5



step 6

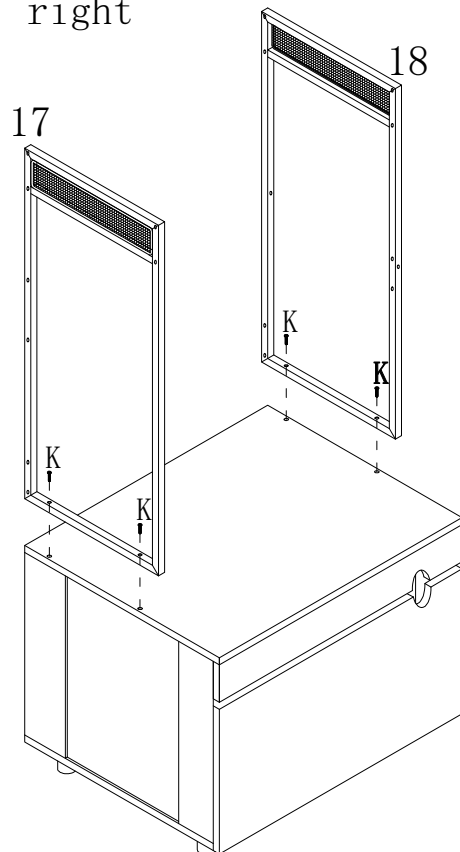
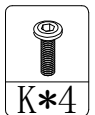


step 7

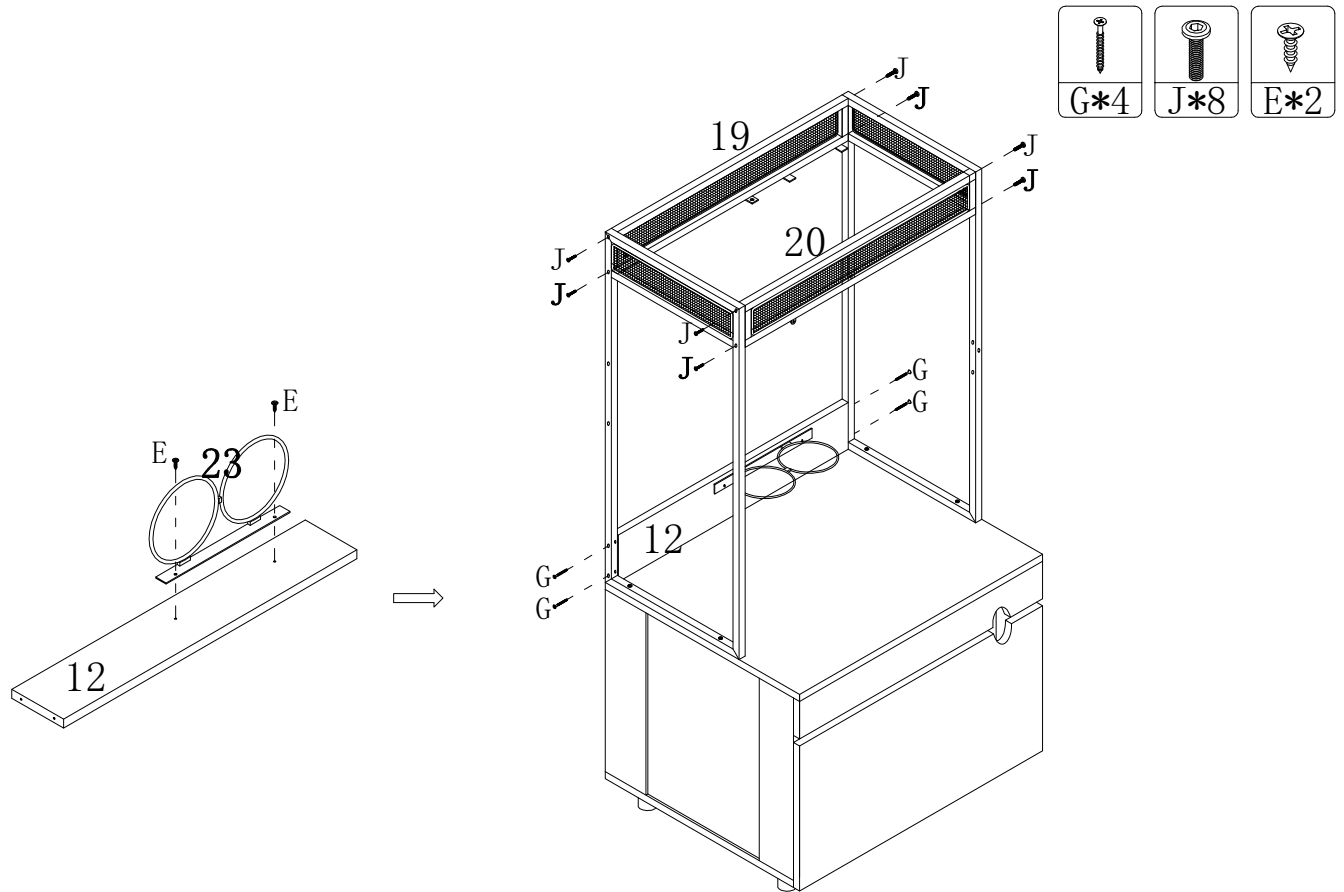


step 8

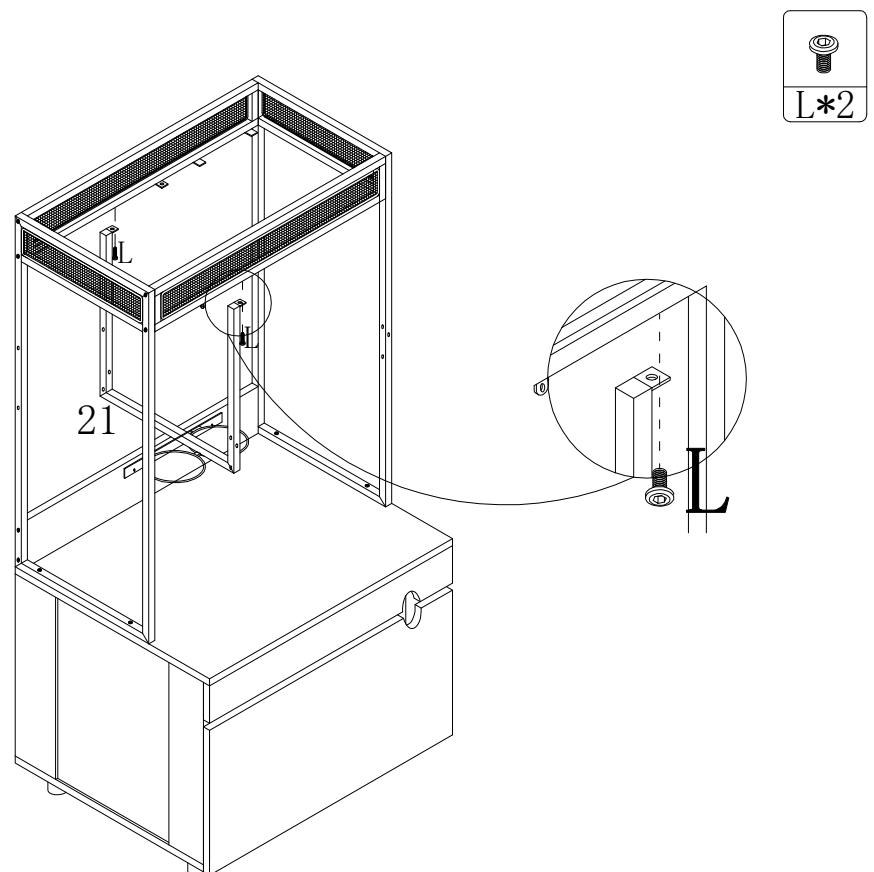
Watch your left and right



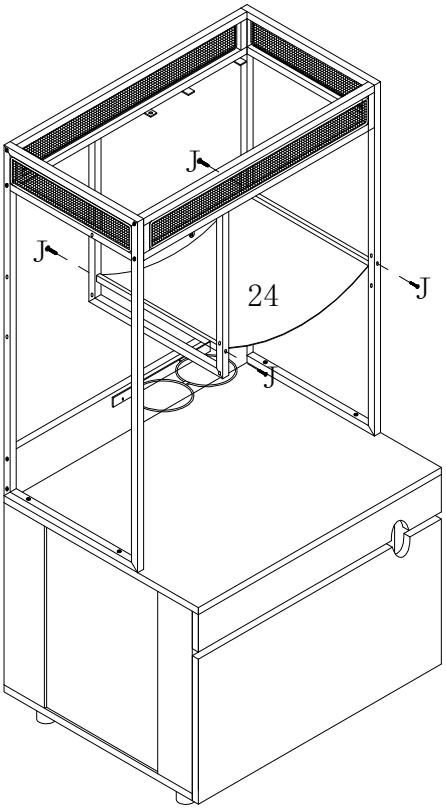
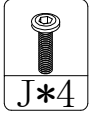
step 9



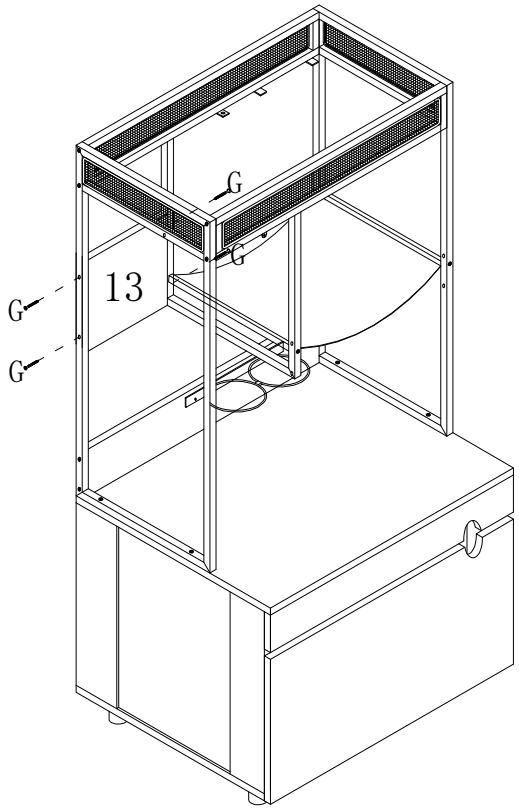
step 10



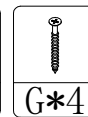
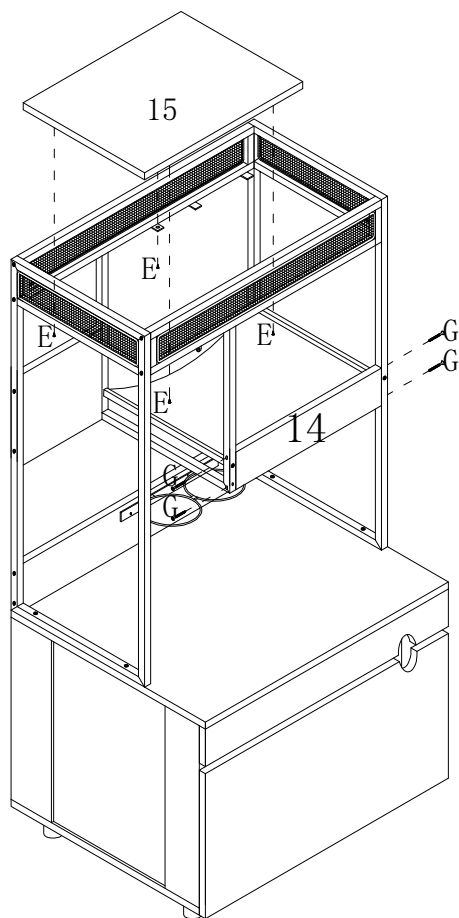
step 11



step 12



step 13



step 14

