












Assembly Instructions

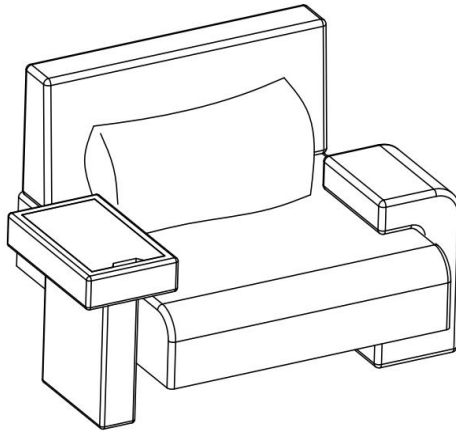
Caution : You must read this before you proceed

Care & Maintenance

- ⊘  ● Not for commercial use. For residential use only.
 - ✓  ● Furniture may scratch floors. We recommend using furniture pads to protect your floors.
 - ⊘  ● Do not put hot items directly on furniture surface.
 - ⊘  ● Do not clean furniture with harsh cleansers or polish.
 - ⊘  ● Do not place furniture under direct sunlight.
 - ⊘  ● Do not place furniture near heating or cooling vents.
 - ⊘  ● Do not write on furniture without a padded barrier to protect the surface.
 - ⊘  ● Do not place furniture outside . For indoor use only.
 - ⊘  ● Stains may be removed with mild soap solution and damp cloth.
 - ⊘  ● Children should not climb or jump on the furniture.
- ✓  ● Dust and pick-up spills using a clean, non-colored, lint-free cloth.



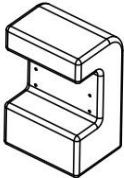
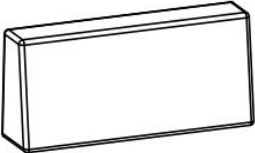
Please look in carton for hardware packs and legs.

Leisure Chair



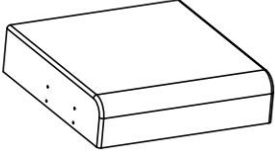
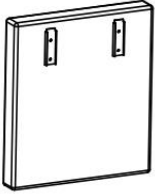
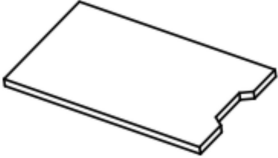
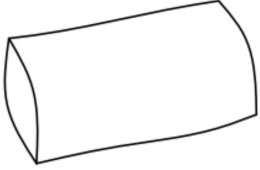
Parts List

N724P256469

Label	Picture	Description	QTY
B		Upper Frame Of Left Armrest	1
C		Lower Frame Of Left Armrest	1
D		Right Arm	1
F		Backrest	1



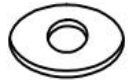
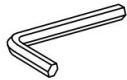
Hardware

N724P256470

A		Seat Frame	1
E		Back Leg	1
G		Armrest Cover Plate	1
H		By The Bag	1

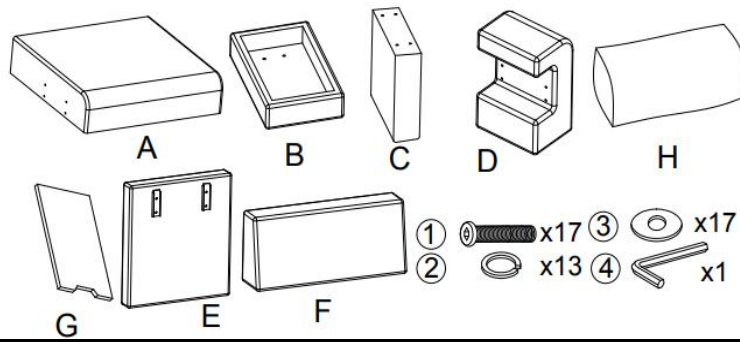
Hardware

N724P256469

Label	Picture	Description	QTY
①		Bolt Ø1/4" x1-3/4"	17
②		Spring Washer Ø1/4"	13
③		Flat Washer Ø1/4"	17
④		Allen Wrench 4.0×21×57	1

Assembly Preparation

Before Beginning Assembly :



- Read instructions, cover to cover-



- Have 2 adults on hand for assembly-



- Do not assemble on flooring or carpet-

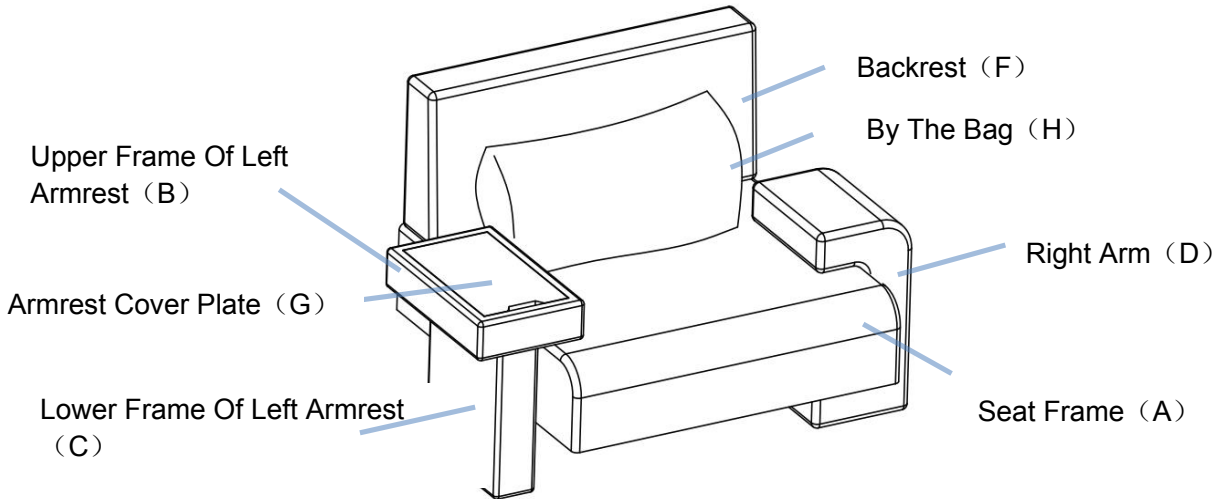


- Assemble on a clean non-marring surface (packing foam)-



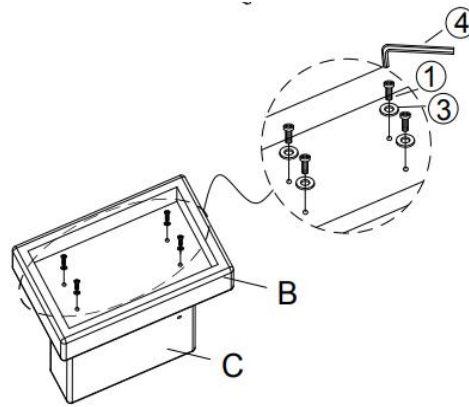
- Save all packaging until finished-

Assembly Steps



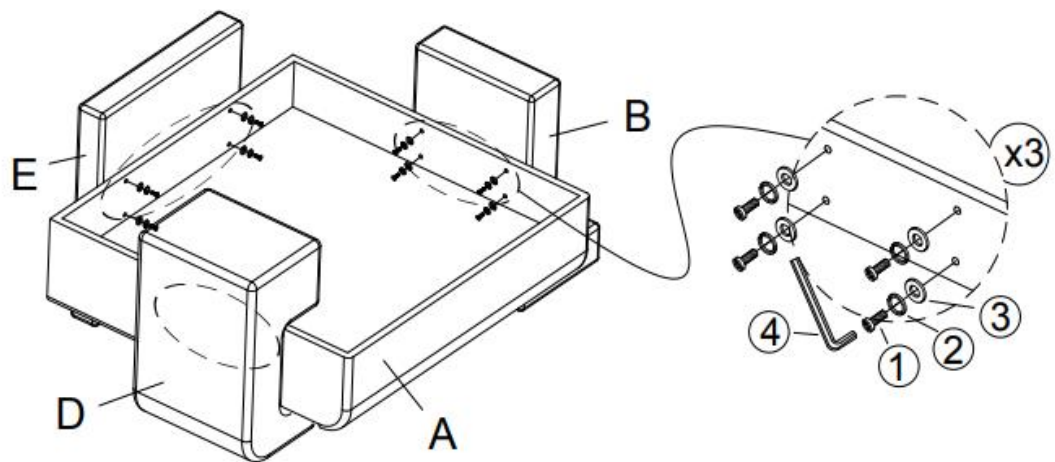
This chair has multiple parts and may require up to some 30 minutes to assemble. To give you an overview of the chair parts, the above picture is to help you put the various parts into perspective. Please read through the instructions below to familiarise yourself with the parts and steps before assembly.

Step 1



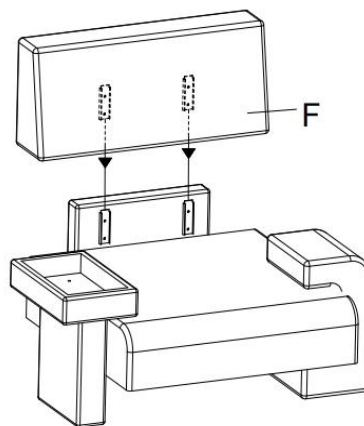
Attached upper frame of left armrest (B) to lower frame of left armrest(C) by using Bolt (①) ,Flat Washer (③) and Allen Wrench (④), as pictured above.

Step 2



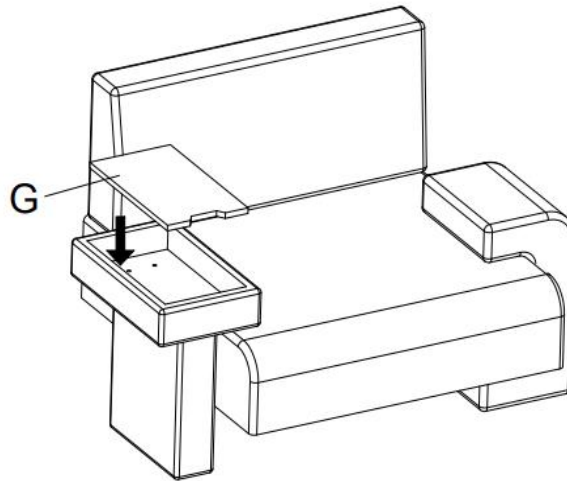
Attached upper frame of left armrest (B), right armrest (D), and rear leg(E) to seat frame (A) by using Bolt (①) ,Spring Washer (②), Flat Washer (③) and Allen Wrench (④), as pictured above.

Step 3



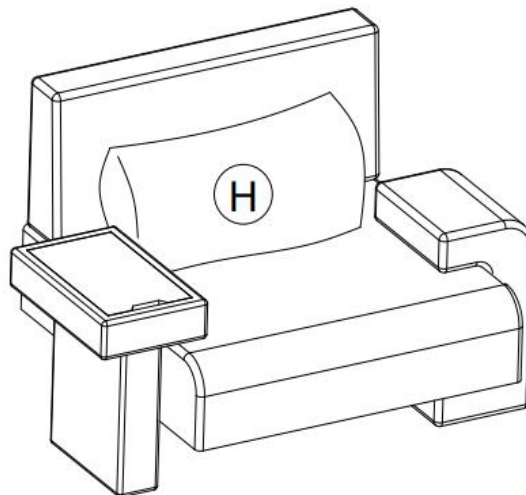
Insert the backrest (F) onto the back leg(E), as pictured above.

Step 4



Place the armrest cover (G) onto the left armrest frame(B) ,as pictured above.

Step 5



Put the Seat Cushion (F) on the Seat Frame (A).
Your Chair is ready for use.
This Chair can only be used on a flat, level surface.