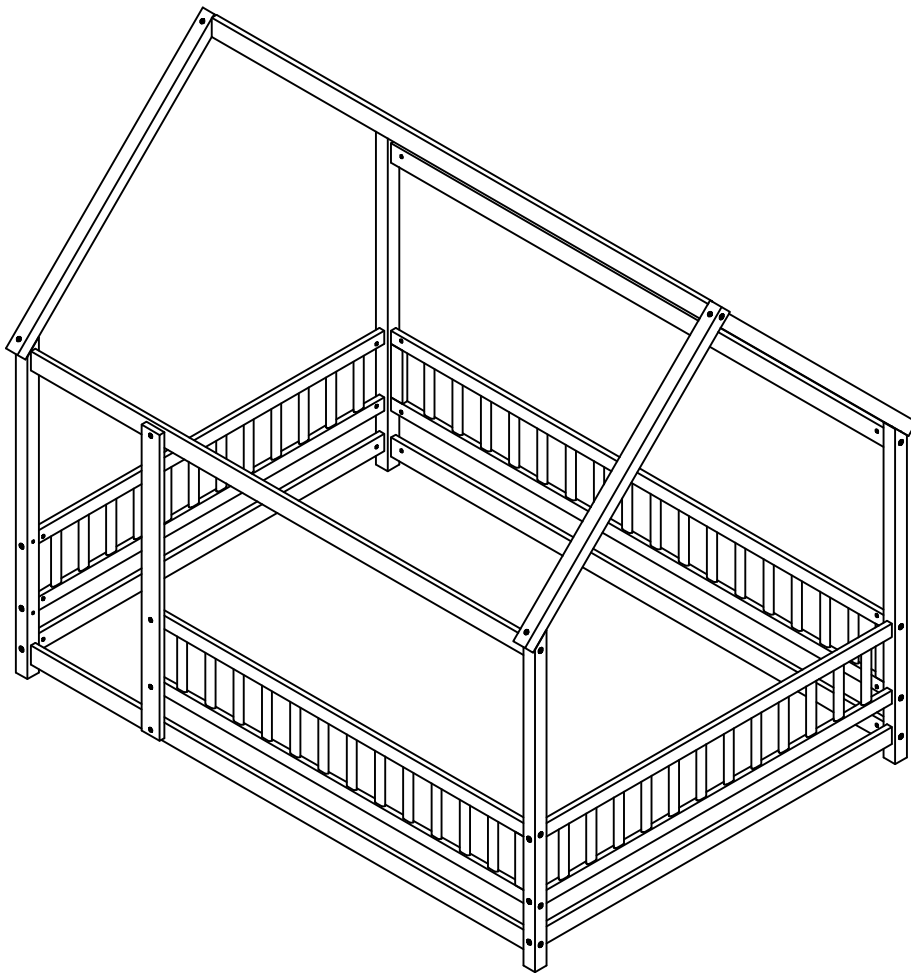


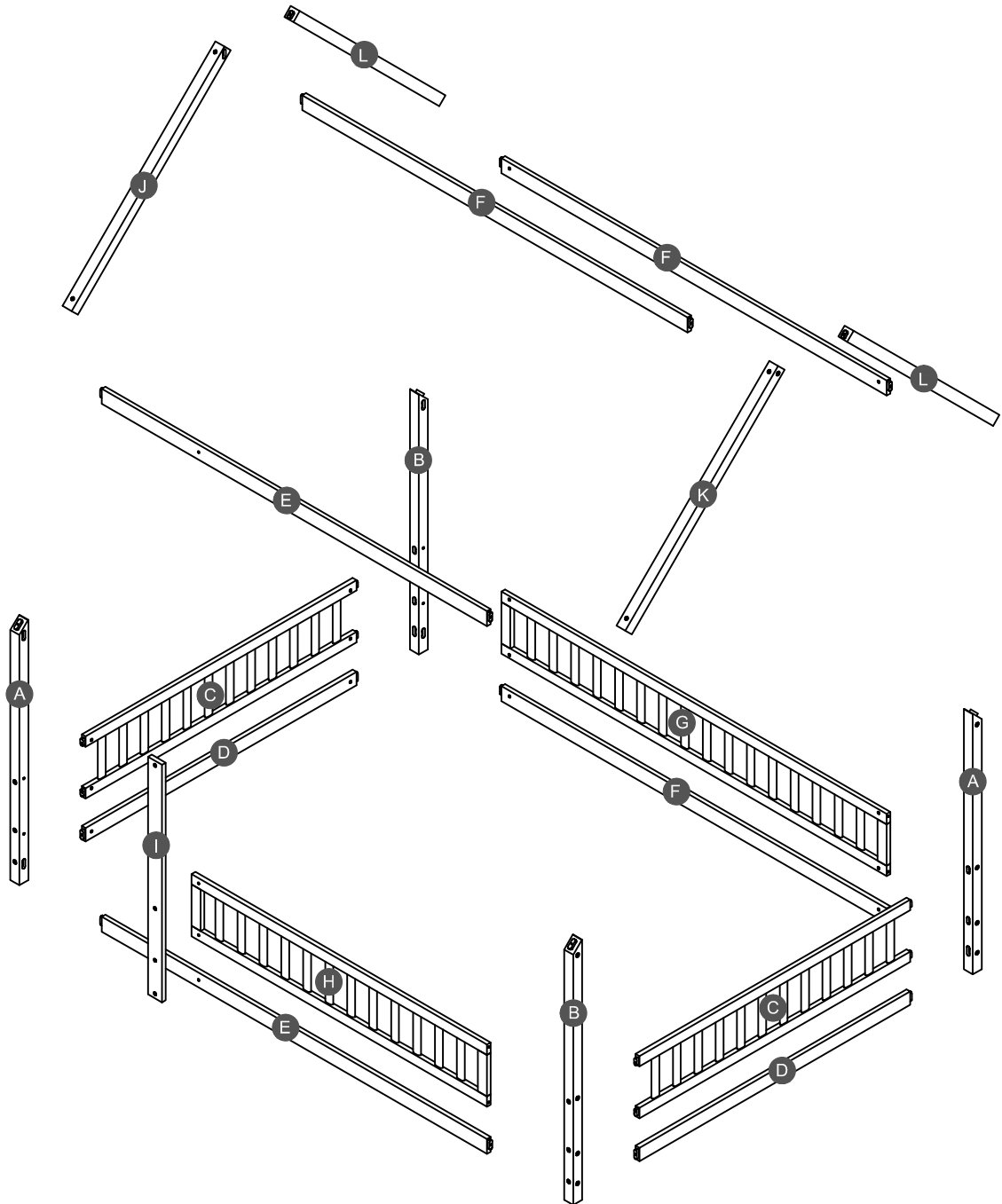
# ASSEMBLY INSTRUCTIONS

## FULL HOUSE FLOOR BED WITH FENCE

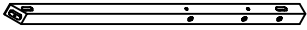
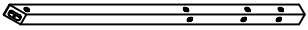
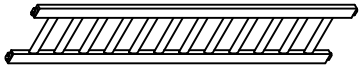
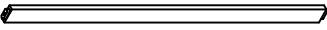

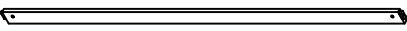
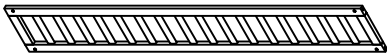

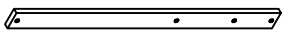
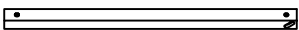
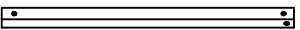
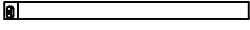


**DN33760**

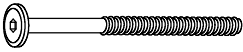
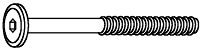




# Detail View



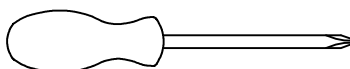
# Part List

<p><b>A</b></p>  <p>Leg (Left Front/Right Back) - 2pcs</p>	<p><b>B</b></p>  <p>Leg (Left Back/Right Front) - 2pcs</p>	<p><b>C</b></p>  <p>Frame HB/FB - 2pcs</p>
<p><b>D</b></p>  <p>Lower horizontal bar - 2pcs</p>	<p><b>E</b></p>  <p>Horizontal bar (Front) - 2pcs</p>	<p><b>F</b></p>  <p>Horizontal bar (Back) - 3pcs</p>
<p><b>G</b></p>  <p>Long guard rail (Back) - 1pc</p>	<p><b>H</b></p>  <p>Short guard rail (Front) - 1pc</p>	<p><b>I</b></p>  <p>Vertical guard rail (Front) - 1pc</p>
<p><b>J</b></p>  <p>Upper (Left Front) - 1pc</p>	<p><b>K</b></p>  <p>Upper (Right Front) - 1pc</p>	<p><b>L</b></p>  <p>Upper (Back) - 2pcs</p>

# Hardware List

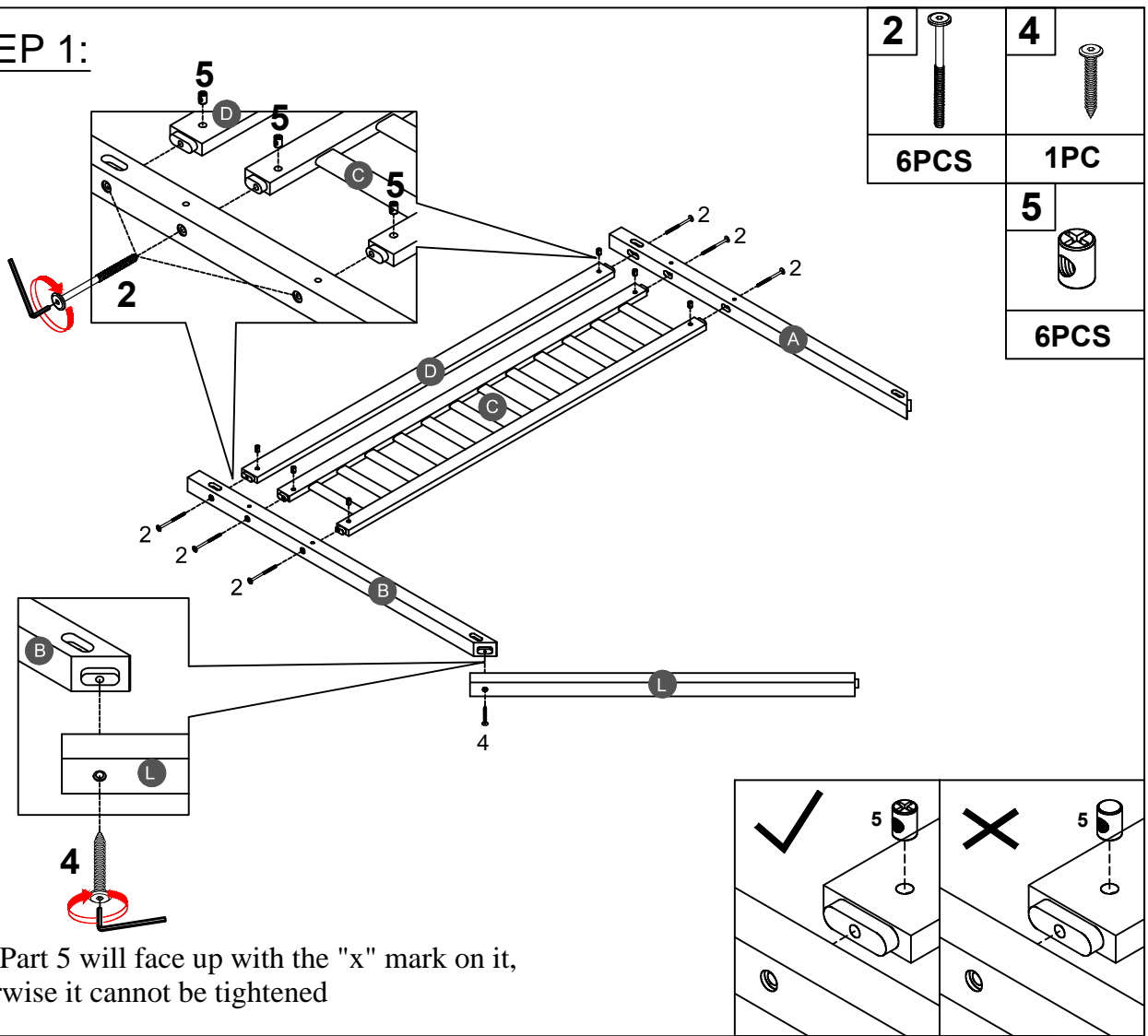
<p><b>1</b></p>  <p>(Ø15)1/4"*100mm Hex-Head bolts (16pcs)</p>	<p><b>2</b></p>  <p>(Ø15)1/4"*80mm Hex-Head bolts (12pcs)</p>	<p><b>3</b></p>  <p>(Ø12)1/4"*35mm Hex-Head bolts (4pcs)</p>
<p><b>4</b></p>  <p>(Ø12)1/4"*65mm Wood screw bolts (6pcs)</p>	<p><b>5</b></p>  <p>1/4"*15 (9.5mm) Horizontal-Hole bolts (28pcs)</p>	<p><b>6</b></p>  <p>(1/4")4.5*58mm Allen key (1pc)</p>

ASSEMBLY TOOLS REQUIRED ( NOT INCLUDED )

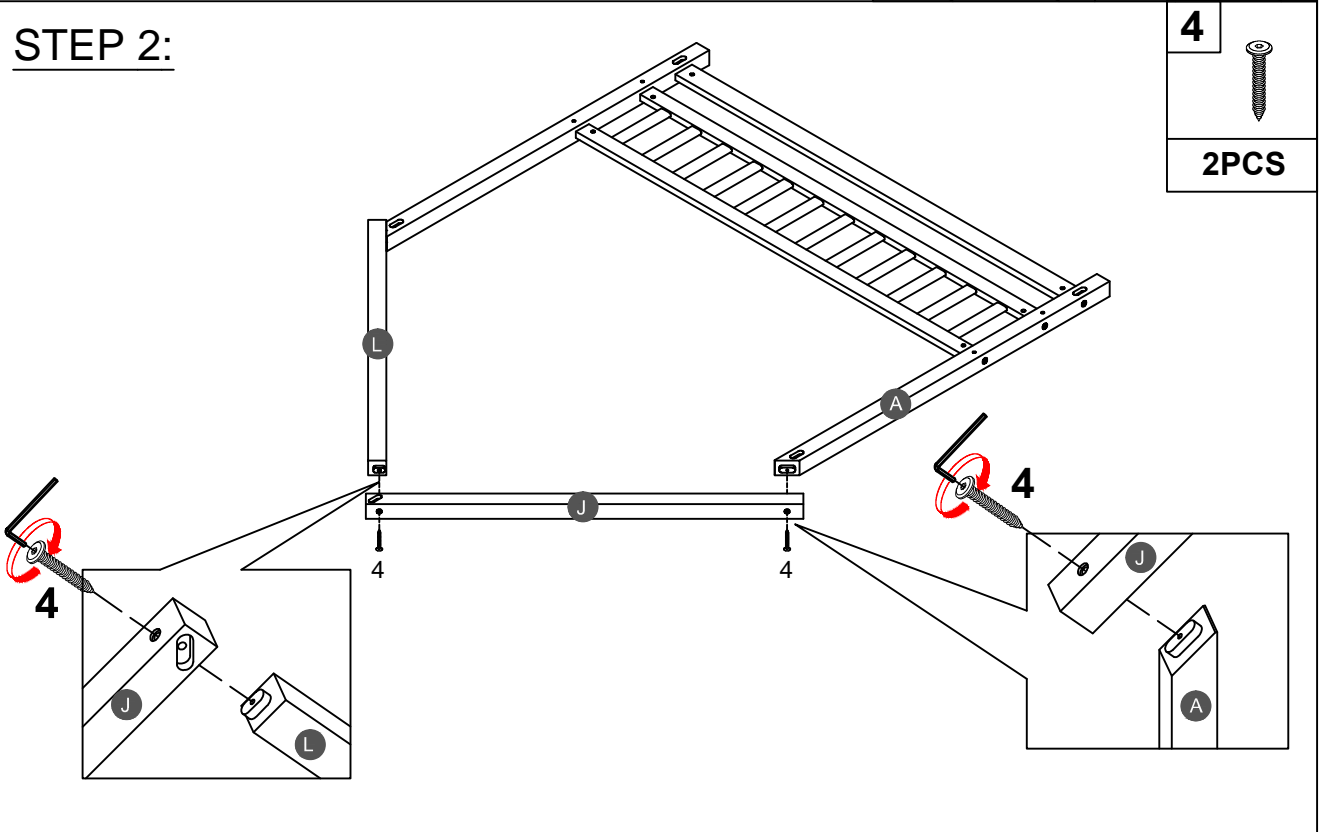


PLEASE BE CAREFUL DO NOT DAMAGE THE HOLE POSITION WHEN YOU USE POWER TOOLS !

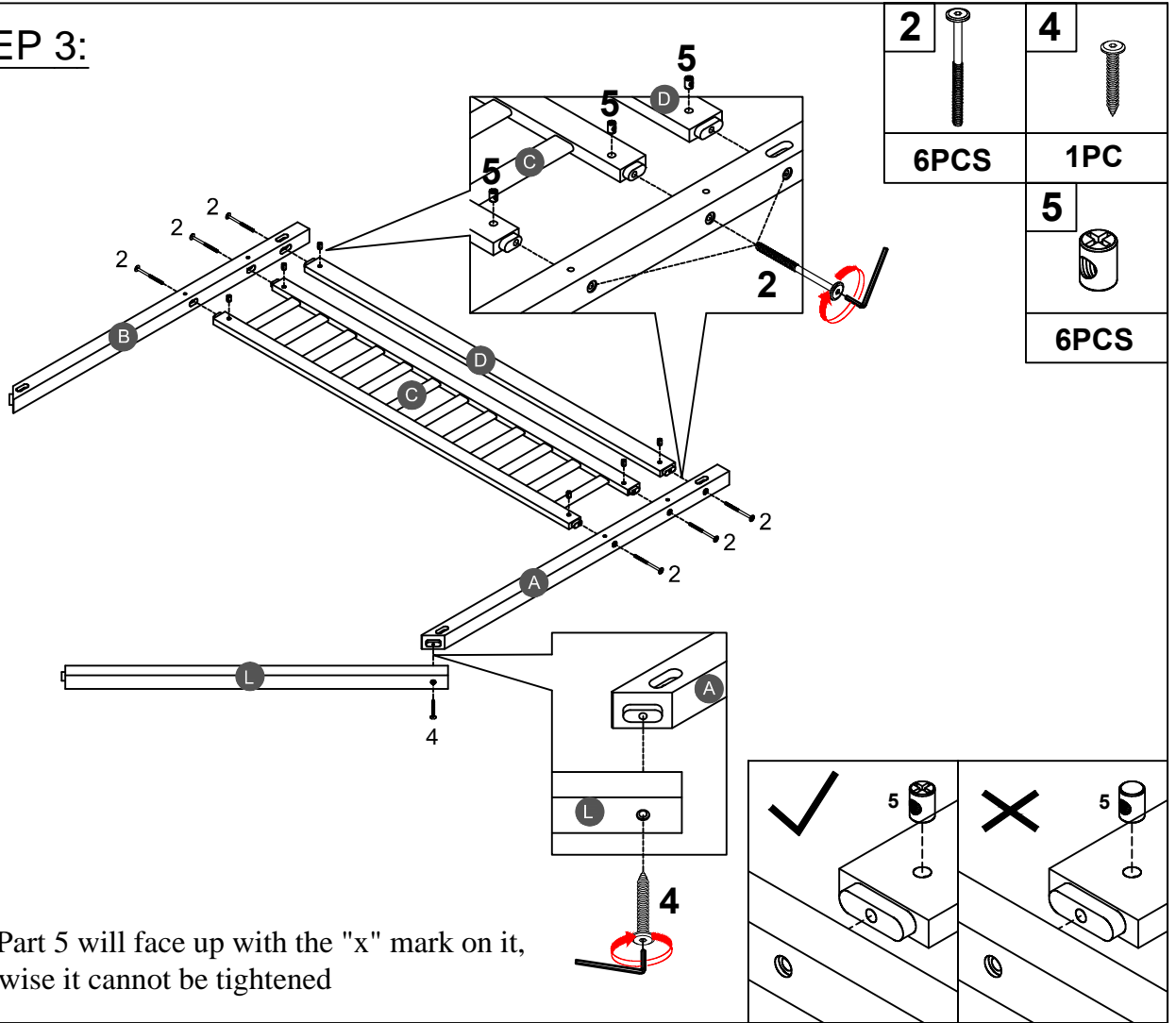
# STEP 1:



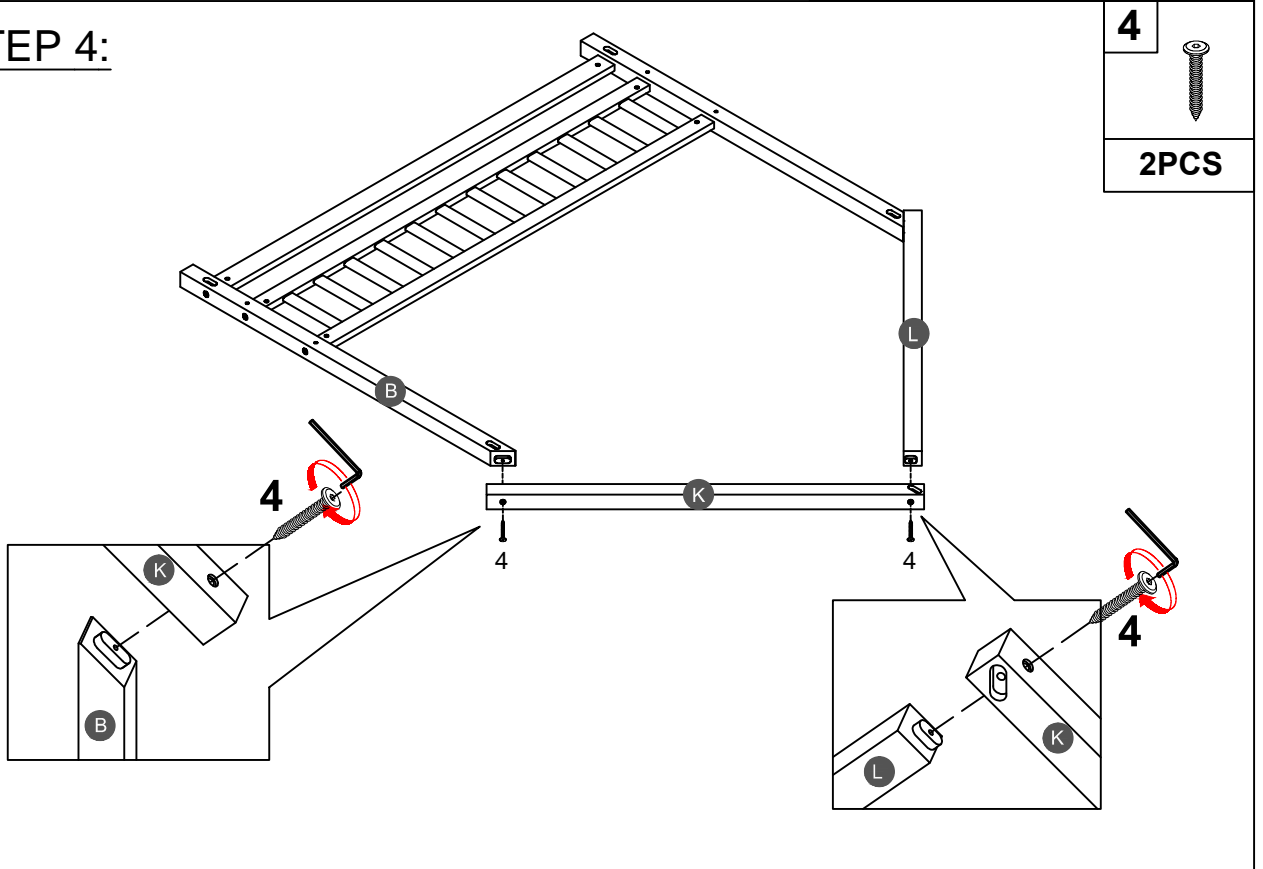
# STEP 2:



### STEP 3:





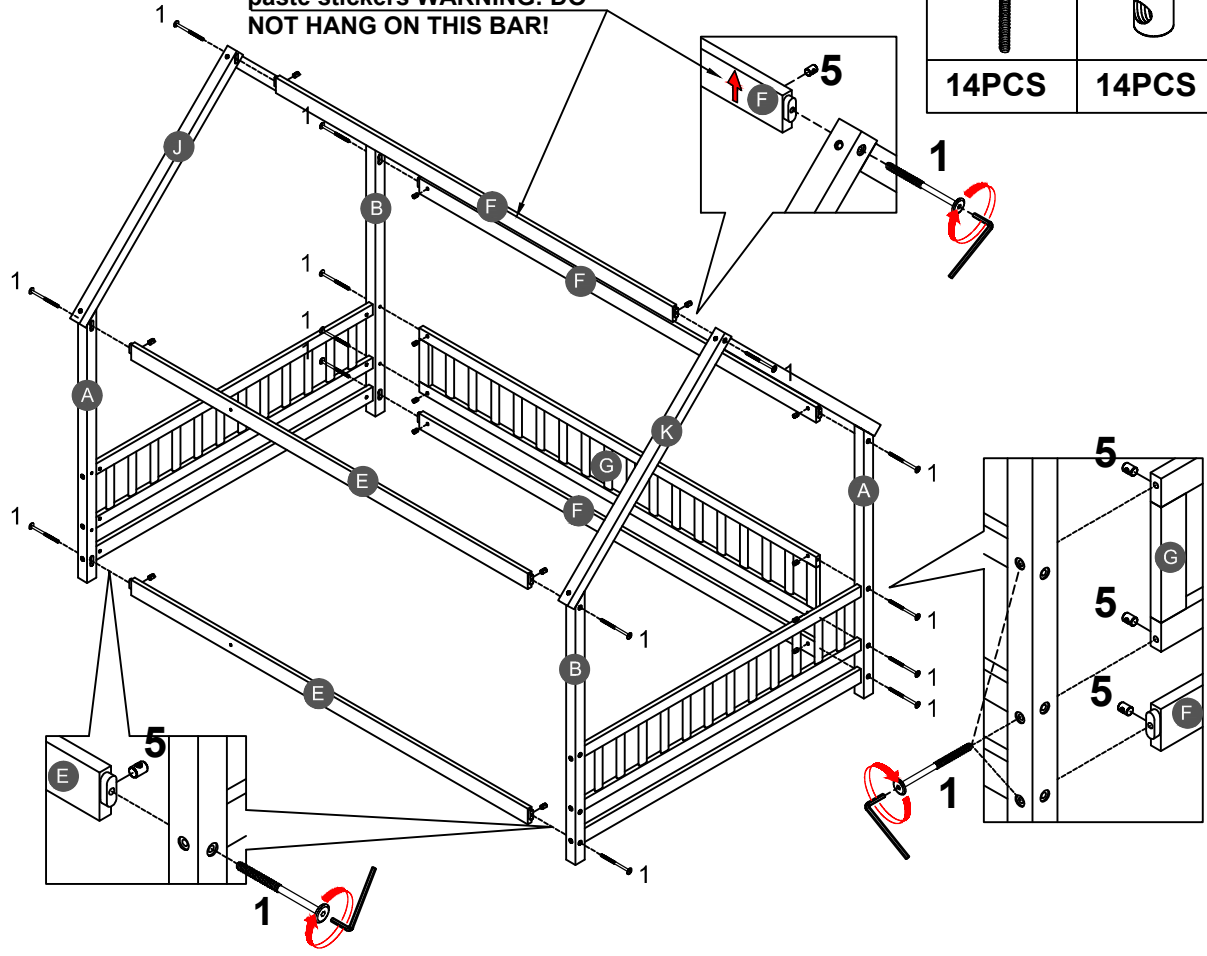
### STEP 4:






# STEP 5:

Remark: Upper horizontal  
paste stickers **WARNING: DO  
NOT HANG ON THIS BAR!**

1		5	
14PCS		14PCS	



# STEP 6:

1		3		5	
2PCS		4PCS		2PCS	

